

BallastWise®



FLUORESCENT BALLAST SPECIFICATIONS

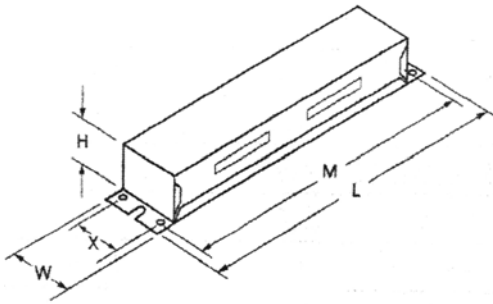
DESCRIPTION

| CATALOG NO. | TYPE | STARTING METHOD | NUMBER OF LAMPS | LAMP TYPE |
|-------------|------------|-----------------|-----------------|---|
| DXE296H12U | Electronic | Instant Start | 2 | F96T12,F96T12 F84T12,F72T12 F64T12,F60T12 |

ELECTRICAL CHARACTERISTICS

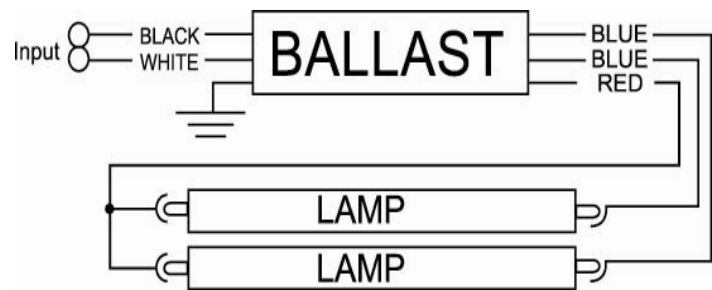
| INPUT VOLTAGE | REQUENCY | LAMP WATTS | INPUT WATTS | INPUT CURRENT | THD | PF | SOUND RATED A |
|----------------|----------|----------------------------|----------------|---------------|---------|-------------------|---------------|
| 120V to 277V | 50/60Hz | 75W,60W,70W 55W,52W,50W | 132W | 1.11A / 0.48A | <10% | 0.99 | |
| MIN START TEMP | Class P | TYPE 1 Outdoor | BALLAST FACTOR | BEF | O.C.V. | BALLAST FREQUENCY | NO PCB'S |
| -20°F/-28.8°C | | | 0.88 | 0.666 | 750VRMS | >40kHz | |

PHYSICAL CHARACTERISTICS



| CASE DIMENSIONS | | | | | |
|-----------------|---------|---------|---------|---------|------|
| UNITS | M | X | L | W | H |
| INCHES | 8.90 | 1.25 | 9.50 | 2.38 | 1.60 |
| TOL(+/-) | 0.05 | 0.05 | 0.05 | 0.05 | 0.05 |
| LEAD LENGTH | | | | | |
| UNITS | BLACK | WHITE | RED | BLUE | |
| INCHES | 1x44 | 1x44 | 1x68 | 2x44 | |
| TOL(+/-) | +3/8,-0 | +3/8,-0 | +3/8,-0 | +3/8,-0 | |

PRODUCT PHOTO



PRODUCT LABEL

| | | | |
|--|---|---|---|
| BallastWise™ ELECTRONIC BALLAST Cat.No.:DXE4H8U(DXE296H12U) Instant Start Type 1 Outdoor Class P Sound Rating A O.C.V.: 750VRMS Start Temp.: -20°F~-120°F No PCB's Lamp Type:2"F96T12/75W,2"F96T12/60W,2"F84T12/70W 2"F72T12/55W,2"F64T12/52W,2"F60T12/50W | Input: 120 to 277 V 50/60Hz Max. Line Current: 120V/1.11A 277V/0.48A Power Factor>0.99 Line Current THD<10% | DuroPower 1-866-433-9468 LISTED E178684 61FK | <p>Two Lamp Application</p> <p>One Lamp Application</p> |
| | WARNING: Insulate unused lead(s) for 1000V. Install per National and Local Electrical Codes. Ground Ballast & Mount within 3/4" of ground Metal Reflector. | | |