

BallastWise®



FLUORESCENT BALLAST SPECIFICATIONS

DESCRIPTION

CATALOG NO.	TYPE	STARTING METHOD	NUMBER OF LAMPS	LAMP TYPE
DXE448HO121	Electronic	Instant Start	4	F48T12HO,F42T12HO F36T12HO,F30T12HO F24T12HO,F18T12HO

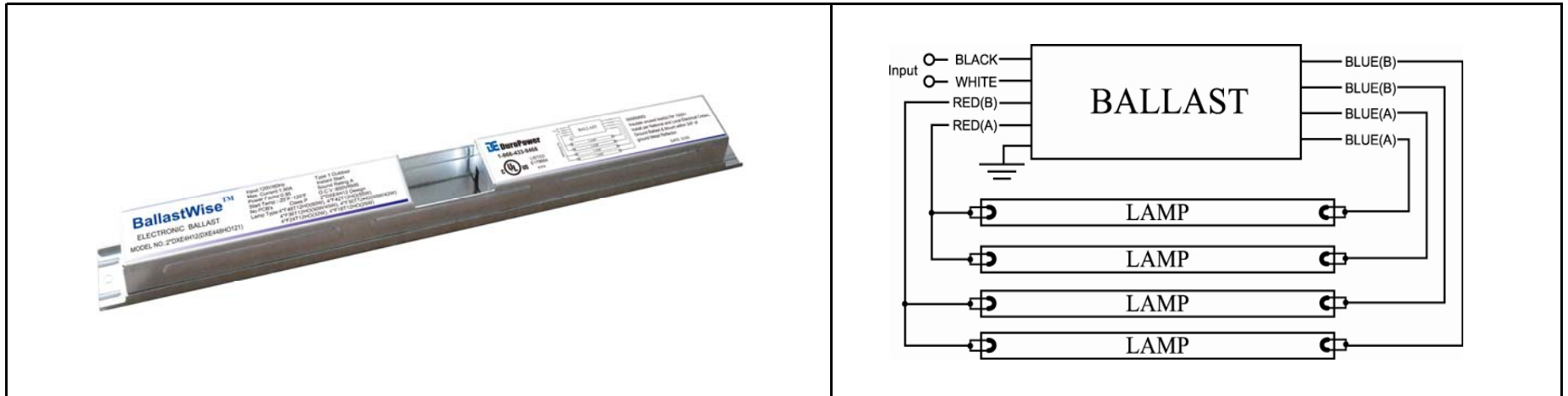
ELECTRICAL CHARACTERISTICS

INPUT VOLTAGE	REQUENCY	LAMP WATTS	INPUT WATTS	INPUT CURRENT	THD	PF	SOUND RATED A	
120V	60Hz	60W,55W,50/45W 50/42W,32W,25W	216W	1.90A	<30%	0.95		
MIN START TEMP	Class P	TYPE 1 Outdoor	BALLAST FACTOR		BEF	O.C.V.	BALLAST FREQUENCY	NO PCB'S
-20°F/-28.8°C			0.92	0.426	600VRMS	>40kHz		

PHYSICAL CHARACTERISTICS

		CASE DIMENSIONS				
		UNITS	M	L	W	H
		INCHES	18.74	19.24	1.72	1.00
		TOL(+/-)	0.05	0.05	0.05	0.05
		LEAD LENGTH				
		UNITS	BLACK	WHITE	RED	BLUE
		INCHES	CONNECTOR	CONNECTOR	2×36	4×24
		TOL(+/-)	1	1	+3/8,-0	+3/8,-0

PRODUCT PHOTO



PRODUCT LABEL

<p>BallastWise™ ELECTRONIC BALLAST MODEL NO.:2*DXE4H12(DXE448HO121)</p>	<p>Input:120V/60Hz Max. Current:1.90A Power Factor:0.95 Start Temp.: -20°F~120°F No PCB's Class P Lamp Type:4*F48T12HO(60W), 4*F42T12HO(55W) 4*F36T12HO(50W/45W), 4*F30T12HO(50W/42W) 4*F24T12HO(32W), 4*F18T12HO(25W)</p>	<p>Type 1 Outdoor Instant Start Sound Rating A O.C.V.:600VRMS 2*DXE4H12 Design</p>	<p>DuroPower 1-866-433-9468</p>	<p>LISTED E178684 61FK</p>	<p>WARNING: Insulate unused lead(s) for 1000V. Install per National and Local Electrical Codes. Ground Ballast & Mount within 3/4" of ground Metal Reflector.</p> <p>DATE: G105</p>
--	--	--	--	------------------------------------	--