

BallastWise



FLUORESCENT BALLAST SPECIFICATIONS

DESCRIPTION

CATALOG	TYPE	STARTING METHOD	NUMBER OF LAMPS	LAMP TYPE
DXE4H8UD	Electronic	Program Rapid Start	4	F32T8, F32T8/U, F31T8/U

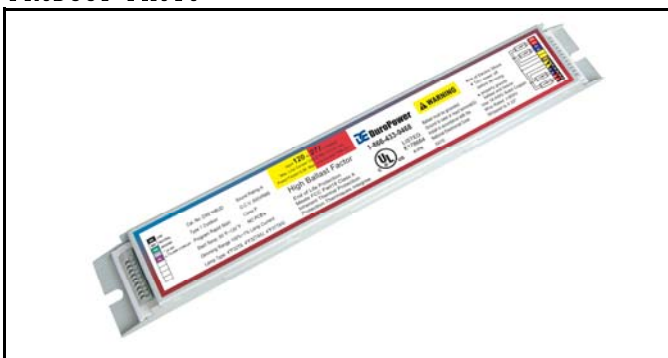
ELECTRICAL CHARACTERISTICS

INPUT VOLTAGE	LAMP WATTS	INPUT WATTS	INPUT CURRENT	PF	FREQUENCY	SOUND RATED		
120V to 277V	32W, 32W, 31W	115W/22W	0.98A~0.42A	>0.99	50/60HZ	A		
MIN START TEMP	CLASS	TYPE	BALLAST FACTOR	OCV	BEF	THD	DIMMING RANGE	NO PCB'S
50°F~120°F	P	1 Outdoor	0.88	300VRMS	0.762	<10%	100%~1%	

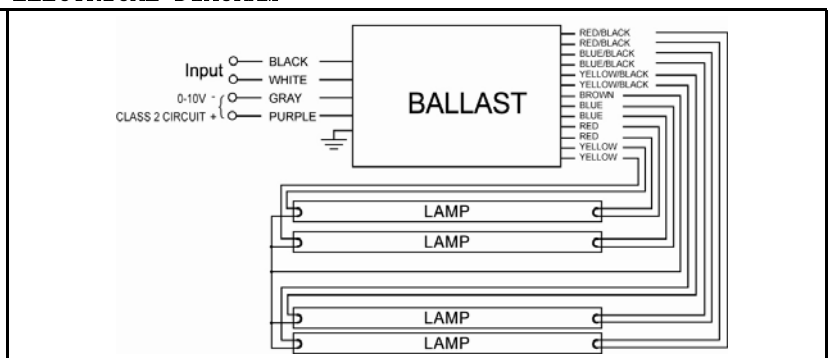
PHYSICAL CHARACTERISTICS

		CASE DIMENSIONS									
		UNITS	M	L	W	H					
		INCHES	16.20	16.88	2.25	1.00					
		TOL(+/-)	0.05	0.05	0.05	0.05					
CONNECTOR WIRETRIP											
COLOR	BLACK	WHITE	GREEN	RED	BLUE	YELLOW	BROWN	YELLOW/BLACK	BLUE/BLACK	RED/BLACK	NUMBER
	1	1	1	2	2	2	1	2	2	2	

PRODUCT PHOTO



ELECTRICAL DIAGRAM



PRODUCT LABEL

<table border="1"> <tr><td>BK</td><td>LINE</td></tr> <tr><td>WH</td><td>NEUTRAL</td></tr> <tr><td>GN</td><td>GROUND</td></tr> <tr><td>GR</td><td>0-10V CLASS 2 CIRCUIT</td></tr> </table>	BK	LINE	WH	NEUTRAL	GN	GROUND	GR	0-10V CLASS 2 CIRCUIT	Cat. No.:DXE4H8UD Type 1 Outdoor Program Rapid Start Start Temp.:50 °F~120°F Dimming Range 100%~1% Lamp Current Lamp Type: 4°F32T8, 4°F32T8/U, 4°F31T8/U	Sound Rating A O.C.V.:300VRMS Class P NO PCB's	Input 120 to 277 V 50/60Hz Max. Line Current 120V/0.98A, 277V/0.42A Power Factor>0.99 Max. Line Current THD<10%	1-866-433-9468	Risk of Electric Shock • Turn power off before servicing • properly ground ballast and fixture Use 18 AWG Solid Copper Wire Rated ≥600V Stripped to 0.33"	
	BK	LINE												
WH	NEUTRAL													
GN	GROUND													
GR	0-10V CLASS 2 CIRCUIT													
High Ballast Factor End of Life Protection Meets FCC Part18 Class A Inherent Thermal Protection Protection Thermiques Integree	LISTED E178684 61FK	Ballast must be grounded Ground to case or input terminal(G) Install in accordance with the National Electrical Code DATE:												