

BallastWise[®]



FLUORESCENT BALLAST SPECIFICATIONS

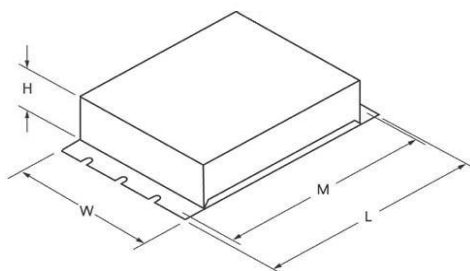
DESCRIPTION

CATALOG	TYPE	NUMBER OF LAMPS	LAMP TYPE
DXE50HID1	Electronic	1	MH Lamp 50W

ELECTRICAL CHARACTERISTICS

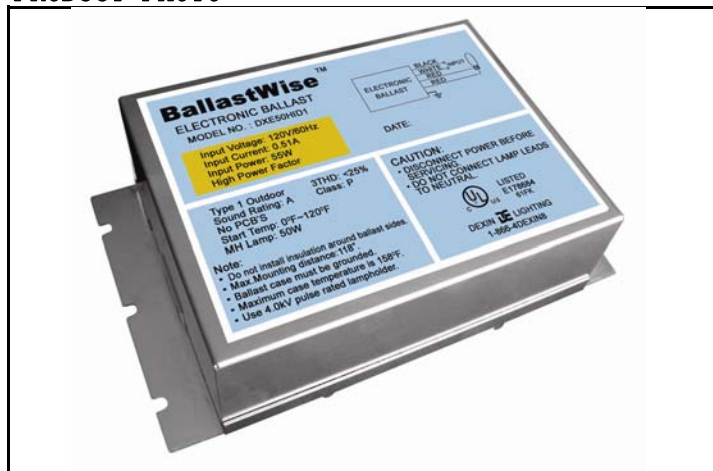
INPUT VOLTAGE	LAMP WATTS	INPUT WATTS	INPUT CURRENT	PF	FREQUENCY	SOUND RATED
120V	50W	55W	0.51A	>0.90	60Hz	A
START TEMP	CLASS	TYPE	BALLAST FACTOR	BEF	THD (1)	NO PCB'S
0°F ~ 120°F	P	1 Outdoor	1.00	1.818	<25%	

PHYSICAL CHARACTERISTICS

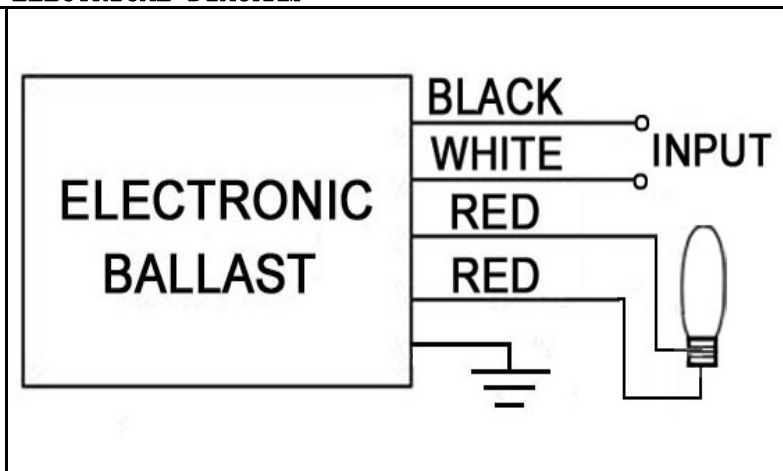


CASE DIMENSIONS				
UNITS	M	L	W	H
INCHES	5.00"	5.20"	3.19"	1.57"
TOL (+/-)	0.39	0.39	0.39	0.39
LEAD LENGTH				
UNITS	BLACK	WHITE	RED	RED
INCHES	14.17"	14.17"	14.17"	14.17"
TOL (+/-)	0.39	0.39	0.39	0.39

PRODUCT PHOTO



ELECTRICAL DIAGRAM



PRODUCT LABEL

BallastWise[™]

ELECTRONIC BALLAST
MODEL NO. : DXE50HID1

Input Voltage: 120V/60Hz
Input Current: 0.51A
Input Power: 55W
High Power Factor

DATE: _____

<p style="margin: 0;">Type 1 Outdoor 3THD: <25% Sound Rating: A Class: P No PCB'S Start Temp: 0°F~120°F MH Lamp: 50W</p> <p style="margin: 0;">Note:</p> <ul style="list-style-type: none"> ▪ Do not install insulation around ballast sides. ▪ Max. Mounting distance: 118". ▪ Ballast case must be grounded. ▪ Maximum case temperature is 158°F. ▪ Use 4.0kV pulse rated lampholder. 	<p style="margin: 0;">CAUTION:</p> <ul style="list-style-type: none"> ▪ DISCONNECT POWER BEFORE SERVICING. ▪ DO NOT CONNECT LAMP LEADS TO NEUTRAL. <div style="text-align: center; margin-top: 10px;"> <p style="margin: 0;">DEXIN LIGHTING 1-866-4DEXIN8</p> </div>
--	---

