

BallastWise®



FLUORESCENT BALLAST SPECIFICATIONS

DESCRIPTION

CATALOG	TYPE	STARTING METHOD	NUMBER OF LAMPS	LAMP TYPE
DXE5HPL	Electronic	Instant Start	5	PL-C, PL-S

ELECTRICAL CHARACTERISTICS

INPUT VOLTAGE	LAMP WATTS	INPUT WATTS	INPUT CURRENT	OCV	PF	FREQUENCY	SOUND RATED
120V	13W	66W	Max. 0.70A	600VRMS	0.95	60HZ	A
MIN START TEMP	CLASS	TYPE	BALLAST FACTOR	BEF	THD(1)	NO PCB'S	
0°F / - 18°C	P	1 Outdoor	1.00	1.515	<35%		

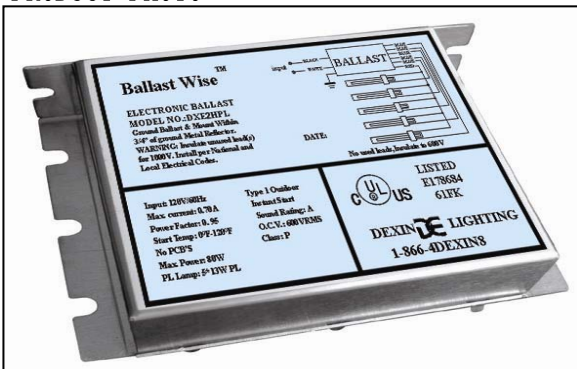
PHYSICAL CHARACTERISTICS

	CASE DIMENSIONS				
	UNITS	M	L	W	H
	INCHES	3.60	3.80	3.10	1.00
	TOL (+/-)	0.05	0.05	0.05	0.05
	LEAD LENGTH				
	UNITS	BLACK	WHITE	RED	BLUE
INCHES	1×8	1×8	1×12	5×12	
TOL (+/-)	+ 3/8, - 0	+ 3/8, - 0	+ 3/8, - 0	+ 3/8, - 0	

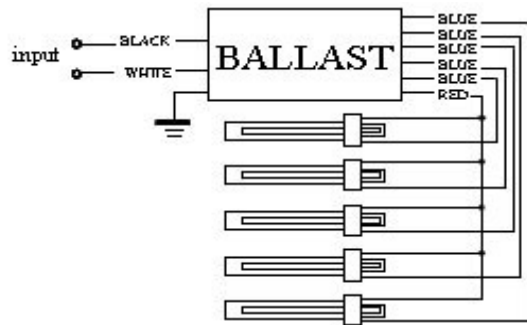
CARTON CHARACTERISTICS

UNITS/CARTON	CARTONS/LAYER	#OF LAYER	UNITS/PALLET	PIECE WEIGHT	CARTON WEIGHT	PALLET WEIGHT
30				0.7 lbs	21.2 lbs	
CARTONS/PALLET	CARTON DIMENSIONS	PALLET DIMENSIONS	PALLET DIMENSIONS LOADED, INCLUDING WOOD PALLET			
	13.2×10.6×6.7					

PRODUCT PHOTO



ELECTRICAL DIAGRAM



PRODUCT LABEL

<p>BallastWise™</p> <p>ELECTRONIC BALLAST MODEL NO.: DXE2HPL Ground Ballast & Mount Within 3/4" of ground Metal Reflector. WARNING: Insulate unused lead(s) for 1000V. Install per National and Local Electrical Codes.</p> <p>DATE:</p> <p>No used leads, Insulate to 600V</p>		
<p>Input: 120V/60Hz Max. current: 0.70A Power Factor: 0.95 Start Temp: 0°F-120°F No PCB'S Max. Power: 80W PL Lamp: 5* 13W PL</p>	<p>Type 1 Outdoor Instant Start Sound Rating: A O.C.V.: 600VRMS Class: P</p>	<p>LISTED E178684 61FK</p> <p>DEXIN DE LIGHTING 1-866-4DEXIN8</p>

