

BallastWise®



ELECTRONIC TRANSFORMER SPECIFICATIONS

DESCRIPTION

CATALOG	TYPE	STARTING METHOD	LAMP TYPE
DXH75H1	Electronic	Rapid Start	For Use With 12V Halogen Lamp only

ELECTRICAL CHARACTERISTICS

INPUT VOLTAGE	OUTPUT VOLTAGE	OUTPUT WATTS	OUTPUT CURRENT	LAMP WATTS	PF	FREQUENCY	SOUND RATED
120V	11.6V	35W-75W	0.29A-0.625A	35W-75W	>0.99	50/60HZ	A
Ta	Tc	EFFICIENCY	CLASS	THD (1)	RIPPLE	Short Circuit & Overload Protection	
40°C max	85°C max	>0.95	B	20%	<1%	NO PCB'S	

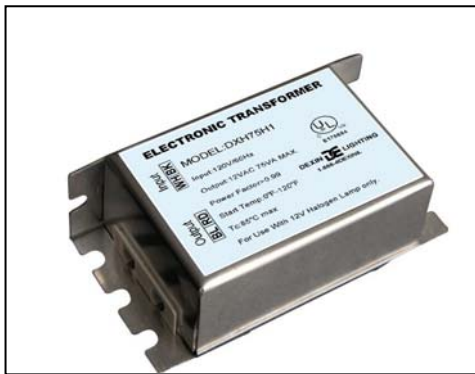
PHYSICAL CHARACTERISTICS

	CASE DIMENSIONS			
	UNITS	M	L	H
	INCHES	3.15	3.36	1.00
	TOL (+/-)	0.05	0.05	0.05
	LEAD LENGTH			
	UNITS	BLACK	WHITE	BLUE
INCHES	1×1.00	1×1.00	2×1.00	
TOL (+/-)	+ 3/8, - 0	+ 3/8, - 0	+ 3/8, - 0	

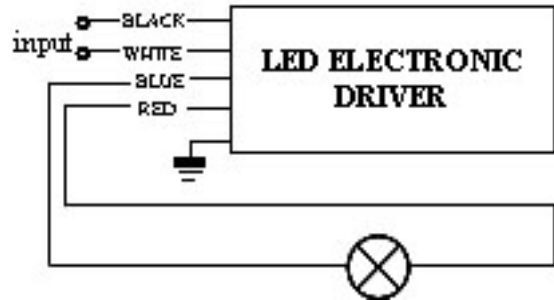
CARTON CHARACTERISTICS

UNITS/CARTON	CARTONS/LAYER	#OF LAYER	UNITS/PALLET	PIECE WEIGHT	CARTON WEIGHT	PALLET WEIGHT
CARTONS/PALLET	CARTON DIMENSIONS	PALLET DIMENSIONS	PALLET DIMENSIONS LOADED, INCLUDING WOOD PALLET			

PRODUCT PHOTO



ELECTRICAL DIAGRAM



PRODUCT LABEL

ELECTRONIC TRANSFORMER

Input **WH/BK** MODEL:DXH75H1
 Input:120V/60Hz
 Output:12VAC 75VA MAX.

Power Factor>0.99
 Start Temp:0°F-120°F
 Tc:85°C max
 For Use With 12V Halogen Lamp only.

E178684
DEXIN LIGHTING
 1-866-4DEXIN8.

